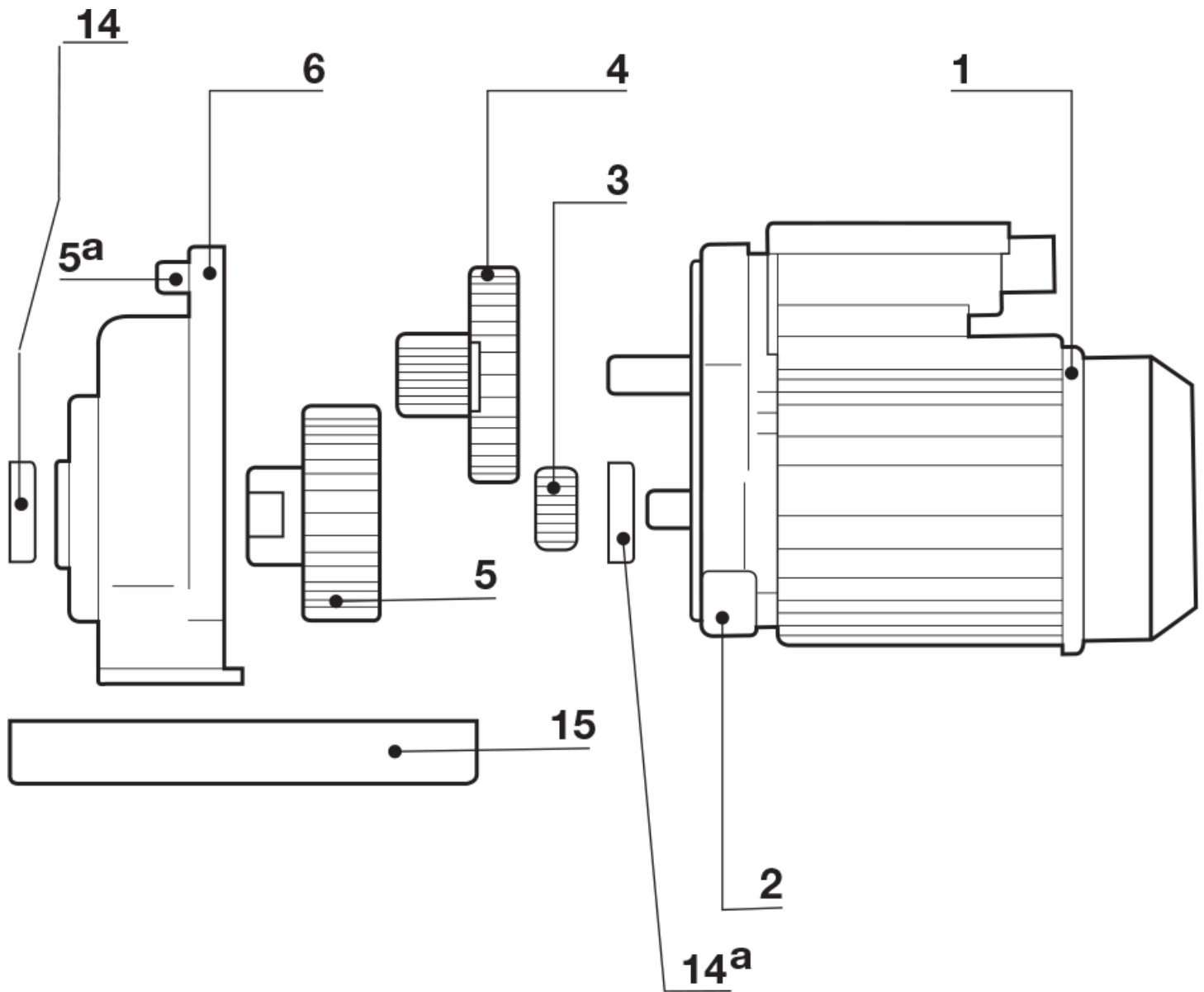


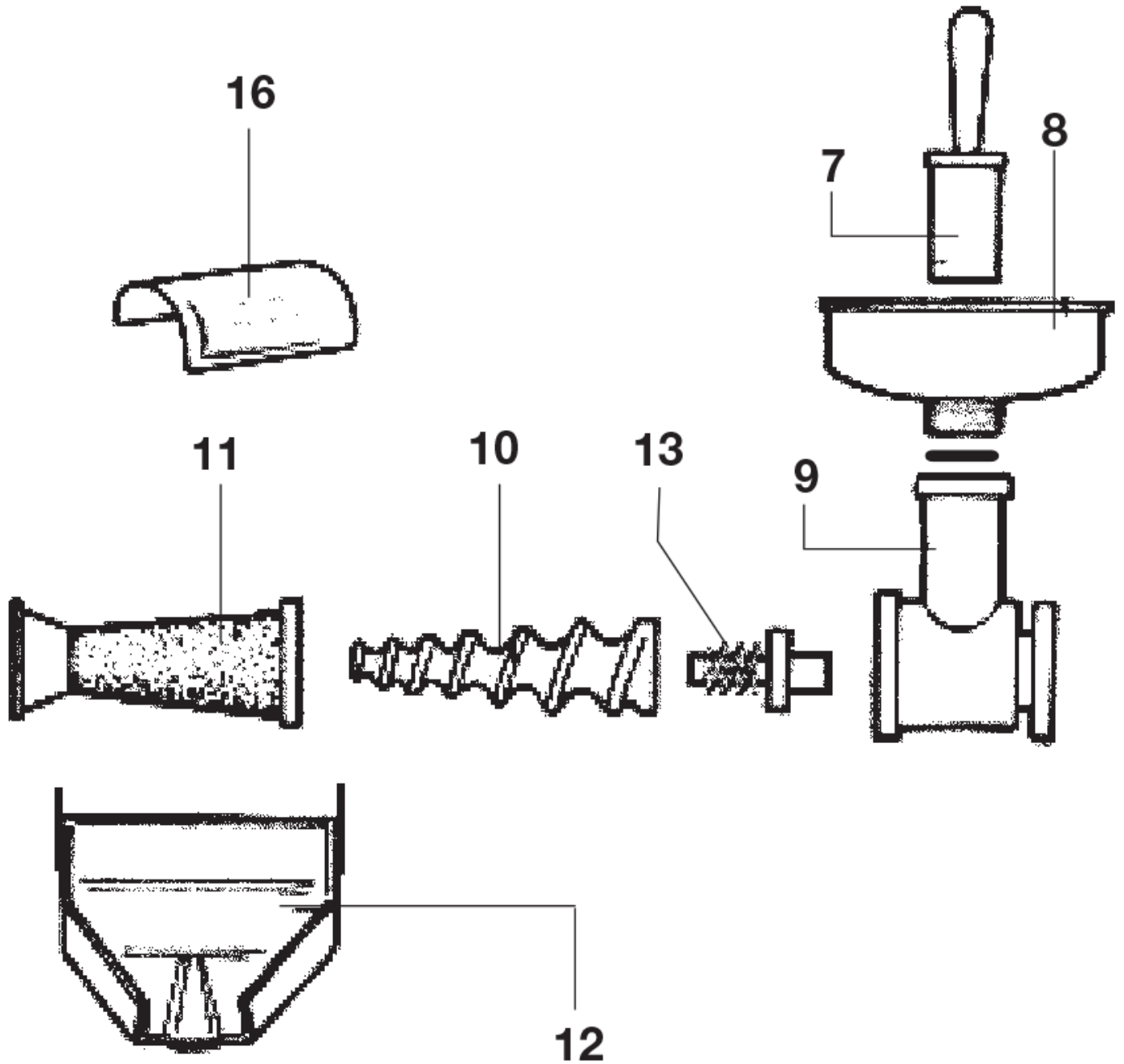
Parts Breakdown

Model *TS-IT-0110-M* 18902



Parts Breakdown

Model *TS-IT-0110-M* 18902



Parts Breakdown

Model TS-IT-0110-M 18902

Item No.	Description	Position	Item No.	Description	Position	Item No.	Description	Position
70063	Electric Motor for 18902	1	70071	Funnel for 18902	8	27857	Gear Cover Oil Seal for 18902	14
70064	Reduction Gear Flange for 18902	2	70054	Cast Iron Casing for 18902	9	70078	Reduction Gear Internal Seal for 18902	14A
27858	1020 SER Gears for 18902	3 - 5	24596	Worm for 18902	10	70079	Base for 18902	15
40628	Rubber Cap Red for 18902	5A	24611	Filter Cone Inox N.5 Standard Holes (1.5mm) for 18902	11	70062	Splash Guard for 18902	16
70069	Reduction Gear Cover for 18902	6	44746	Drip Pan for 18902	12	39339	Rubber Gasket for 18902	
70052	Pestle for 18902	7	24614	Joint and Spring for 18902	13			